

MANY REQUIREMENTS ONE SOLUTION



BLUEPIRAT
:BY MAGNA

The **blue PiraT2 5E** is our data logger for a broad variety of requirements. Four different models cover a wide range of interfaces.

Key features:

- Flexible and future-proof expansion via System Link
- MOST150 streaming channel recording (sync + iso)
- System Client: convenient use, configuration, data download and data processing
- Display with intuitive control knob (push/rotary) for easy navigation through the menus
- Graphic representation of test signals via Live View
- Real-time display of test data in the OnlineMonitor feature of System Client
- Compact size, easy to install in the vehicle
- Super-fast start-up and recording of Ethernet RAW data
- Five built-in RJ45 Gigabit Ethernet ports
- Extended power management with power backup

Find out more:

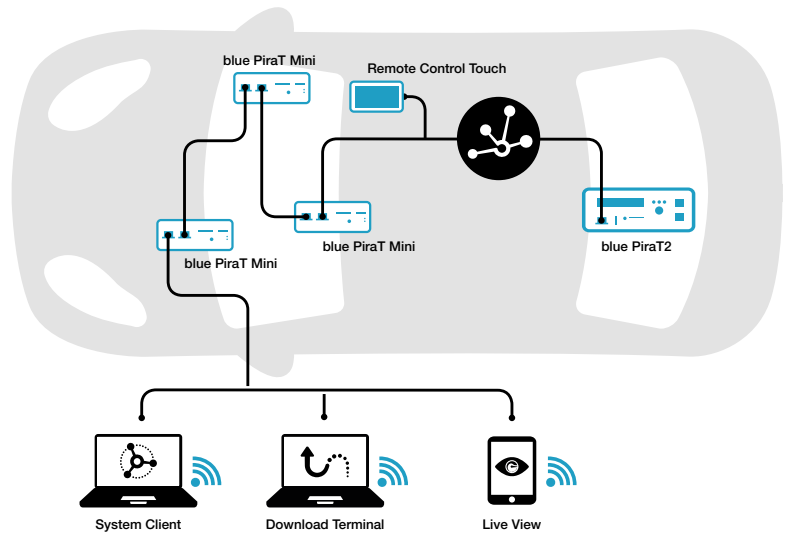
www.telemotive.de or TMO.sales@magna.com

Flexible and expandable – System Link

Build your measuring system from modules or expand your existing system quickly, easily, and flexibly. System Link combines blue PiraT data loggers in one network so they can be operated as a single device.

Convenient: Extensions and accessories

Would you like to start evaluation during the test drive? Expand your blue PiraT data logger with Live View! Or use Download Terminal to collect, sort and distribute your test data. With our extensions you can tailor your blue PiraT2 perfectly to your needs. And the mounting bracket is a very handy accessoire.



Supported interfaces blue PiraT2 5E

Interfaces	Models	blue PiraT2 5E			
		150M5E14C	150M5E14C cPhy	25M5E24C	14C5E6S
MOST		MOST 150 optical	MOST150 cPhy Duplex	MOST 25	-
CAN-HS		12	12	22	12
CAN-LS		2	2	2	2
ECL (Electronic Control Line)		1	1	-	-
Serial RS232		6	6	6	6
LIN		8	8	8	8
FlexRay		2 (a/b)	2 (a/b)	2 (a/b)	-
Ethernet Logging Network (1Gbit/s IF)		5	5	5	5
Analog-IN		10	10	10	2
Digital-IN		5	5	5	1
Digital-Out		3	3	3	1

Technical specifications blue PiraT2 5E

Voltage range	Current consumption	Start-up time	Temperature range	Timestamp resolution	Wake-up via	Memory	Dimensions
5 - 32 V, start-up from 8.5 V	In operation: 1.8 A @ 13.8 V, standby: < 4 mA	< 25 ms / <100 ms depending on the interface	-30°C - +60°C (HDD), -40°C - +60°C (SSD)	1 µs (MOST, CAN, LIN, FlexRay) 1 ms (serial) 100 ms (Ethernet)	Bus activity (MOST, CAN, LIN, FlexRay, Digital, Serial), KL15, Trigger button	320 GB HDD (SSD optional)	275 x 190 x 60 mm